

# WARRANTY INFORMATION

---

This product is under warranty by:

SCI Resource Partners  
7584 Whipple Ave. NW  
North Canton, OH 44720

To the original purchaser, to be free from defect in materials and workmanship for a limited time.

See warranty card below for specific details. If you have any questions concerning your heater, please contact your local Dealer.

## GUARANTEE

This product carries a 30-day guarantee. If you find your unit to be defective within the first 30 days of purchase, you may return it for a refund or a new unit.

**In the event you need to return your heater, it must be returned in the original packaging to avoid damage to the heater during shipping.**

## THREE YEAR LIMITED WARRANTY

**WARRANTY:** The Company warrants this product, to the original purchaser or gift recipient, to be free from defects in workmanship and materials under normal use and service, for a period of three years from the date of purchase.

Warranty will be null and void if any of the following occur: The mechanics of the heater and/or the electrical cord and plug have been altered or tampered with in any way. Heaters not used correctly or not maintained according to the care instructions.

**LIMITATIONS:** ALL WARRANTIES IMPLIED BY LAW, INCLUDING THE IMPLIED WARRANTIES OF MERCHANTABILITY AND FITNESS FOR A PARTICULAR PURPOSE, ARE EXPRESSLY LIMITED TO THE DURATION OF THE LIMITED WARRANTIES SET FORTH ABOVE. Some jurisdictions do not allow limitations on the length of the implied warranty, so the above limitation may not apply to you. IN NO EVENT SHALL THE COMPANY BE LIABLE FOR ANY INCIDENTAL OR CONSEQUENTIAL DAMAGES, LOSS OF PROFIT OR MEDICAL EXPENSES CAUSED BY ANY DEFECT, FAILURE, MISUSE, OR MALFUNCTION OF THE PRODUCT.

Some jurisdictions do not allow the exclusion or limitation of incidental or consequential damages, so the above limitation or exclusion may not apply to you. The Company will not be responsible for damages or losses, direct or indirect, caused by misuse, abuse, accident, negligence, conditions of transportation or storage, or failure to follow instructions. The Company will not be responsible for any statements that are made or published, written or oral, that are inconsistent with this written warranty, or which are misleading or inconsistent with the facts as published in the literature or specifications by the Company.

**In the unlikely event that your unit does not appear to be working properly, you must contact your Sales Representative for immediate assistance.**

Prior to your call, we encourage you to visit our service-related website [www.edenpureservice.com](http://www.edenpureservice.com) for numerous troubleshooting tips and possible service instructions if needed.

If you are unable to reach your Sales Representative and [www.edenpureservice.com](http://www.edenpureservice.com) does not answer your questions, you may contact our Resource Partner's Customer Service Team by calling 1-866-786-8946 or email us at [custserv@rppurchase.com](mailto:custserv@rppurchase.com). Please have your proof of purchase handy when you make your call or Resource Partners will be unable to assist you. The information necessary for us to help you will be on your proof of purchase.

Thank you!

---

## PurATron™ Warranty Registration

Please return this card to the address above within 30 days of purchase to activate your warranty. Thank You.

E-mail Address \_\_\_\_\_ @ \_\_\_\_\_

Firstname \_\_\_\_\_ M.I. \_\_\_\_\_ Lastname \_\_\_\_\_

Street \_\_\_\_\_ Apt.# \_\_\_\_\_

City \_\_\_\_\_ State \_\_\_\_\_ Zip code \_\_\_\_\_

Model purchased \_\_\_\_\_ Serial# \_\_\_\_\_ Date of purchase: Month \_\_\_\_\_ Day \_\_\_\_\_ Year \_\_\_\_\_

distributed by:

Resource Partners All Rights Reserved

# PurATron™



DESIGN and ENGINEERING BY USA

---

PORTABLE HEATING SYSTEM WITH ADVANCED PCO TECHNOLOGY



## Owner's Manual

- Important Instructions
- Introduction
- Specifications
- Main Features and Control Panel
- Using the Remote Control
- Operation
- Setting the Digital Thermostat
- Setting the Timer
- Care and Cleaning
- Warranty Information

---

CAUTION: READ AND SAVE THIS MANUAL FOR PROPER USAGE AND CORRECT OPERATING PROCEDURES!



**CAUTION**  
**RISK OF ELECTRIC SHOCK**  
**DO NOT OPEN**  
**NO USER-SERVICEABLE PARTS INSIDE**



**WARNING!** - EYE DAMAGE MAY RESULT FROM DIRECTLY VIEWING THE LIGHT PRODUCED BY THE LAMP USED IN THIS PRODUCT. ALWAYS TURN OFF LAMP BEFORE OPENING THIS COVER.

## CONTENTS

Introduction.....	1
Specifications.....	1
Important Instructions.....	2
Main Features and Control Panel.....	3
Using the Remote Control.....	3
Operation.....	4
Setting the Digital Thermostat.....	4
Setting the Timer.....	4
Care and Cleaning.....	5-6
Warranty Information.....	7

## INTRODUCTION

Congratulations, your new Heater is designed to provide years of trouble-free, low maintenance operation. Be sure to read and follow all service procedures outlined in this owner's manual, and use only genuine PurATron heater replacement parts available from the manufacturer.

## SPECIFICATIONS

### Electrical:

- Voltage: 120V - 60Hz
- Power consumption: 600-1500 Watts
- Heat output: rated at 2000 BTU, 3500 BTU, 6000 BTU
- Thermostat range: 60-90° Fahrenheit
- Heating element: PTC heater
- Automatic shut-off: heat can be set to automatically shut off in up to 12 hours
- Expected life cycle: over 60,000 hours
- Air purification: Photo Catalyst Oxidation (PCO) technology

### Coverage:

- Coverage: up to 1500 ft<sup>2</sup>

### Size:

- Dimensions: 16.75" high x 13" wide x 15.5" deep
- Weight: 22 pounds

### Warranty:

- Units come with a standard 3 year limited warranty. See Warranty Information (page 8) for details.

### Safety Protection:

- Overheat safety shut-down
- Tip-over safety switch

### Other Features:

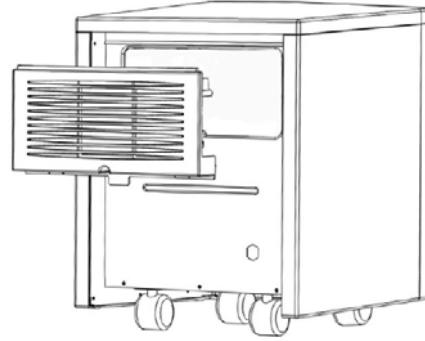
- Washable filter
- Remote control

When not in use, unit should be stored in a clean/dry environment (60-80° F (15-27° C)) and 50-60% Relative Humidity.

# PCO CELL CLEANING AND REPLACEMENT

---

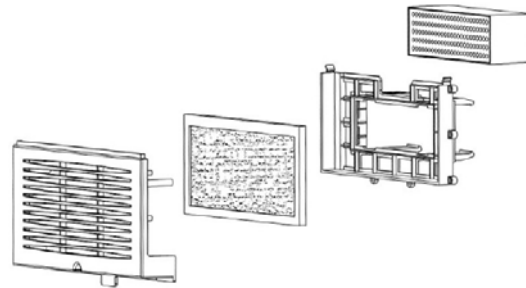
1. Remove the screw from the back cover of the PCO assembly.
2. Disconnect the PCO cell plug.
3. Remove the entire PCO assembly from the unit.



The PCO is the abbreviation Photo Catalyst Oxidation. The PCO filter is to coat the nano-meter TiO<sub>2</sub> mixed with activated carbon on polycarbonate honeycomb with unique technology. This kind of filter will be capable to kill the bacteria while radiated by UV light and also has the ability to absorb the bad smell from the flowing air with activated carbon. It has more advantage than traditional photo catalyst filter. It is more efficient and has very quick effect with long life.

---

4. Disassemble the filter and unit.
5. The PCO cell and filter can now be replaced or cleaned. If damaged, worn, or difficult to clean, replace the filter and/or PCO cell. To clean, carefully vacuum or brush the PCO cell and filter.

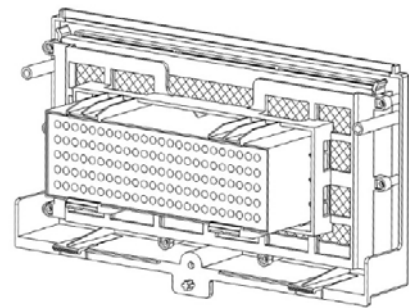


6. Reassemble the PCO cell, filter, back cover, and holder assembly as shown.

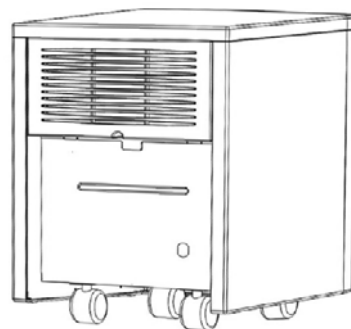


**WARNING!** - the filter and PCO cell must be properly installed. **DO NOT OPERATE THIS APPLIANCE WITH THE FILTER OR BACK COVER REMOVED.** Failure to follow these instructions may result in exposure to UV light or personal injury.

---



7. Insert the PCO cell plug into the receptacle in the back of the unit.
8. Replace the back cover screw removed in step 1.
9. Reconnect power.



## CARE AND CLEANING

---



CAUTION! - Disconnect power cord before servicing.

1. Ensure that the heater is turned off (the switch on the back of the unit should be in the OFF position). Unplug the power cord from the wall outlet before cleaning.
2. Carefully wipe the exterior of the heater with a soft, damp (not wet) cloth and dry thoroughly with a soft, dry cloth.
3. Over time, dust may accumulate on the front vent of the heater. This can be removed by wiping with a damp cloth or carefully cleaning using a vacuum cleaner with brush attachment.
4. **Do not use harsh or abrasive cleaners** to clean your heater, as these will damage the surface.
5. Clean the filter every 30 days or as needed.

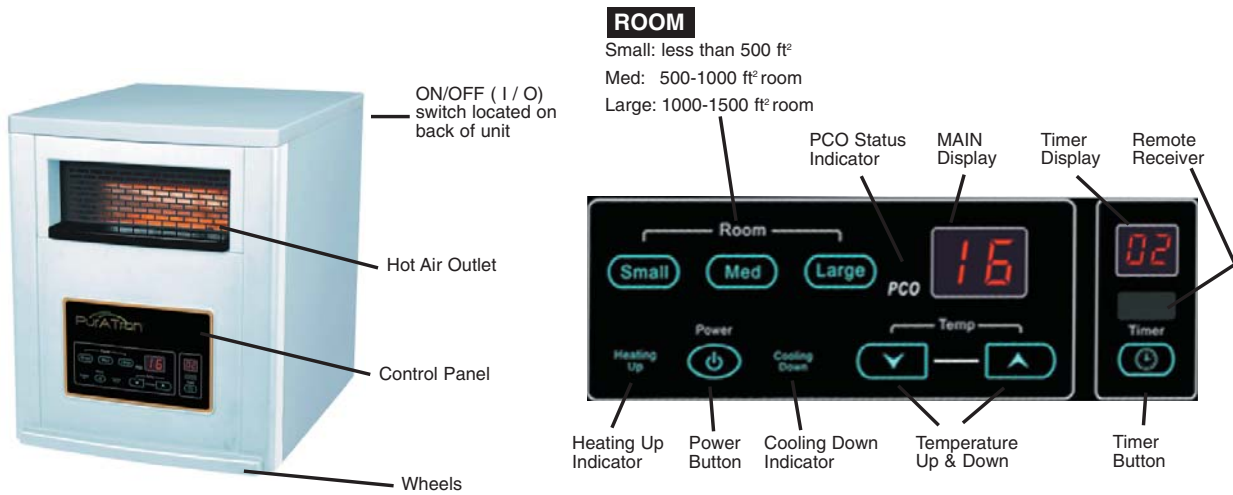
# IMPORTANT INSTRUCTIONS



**WARNING! - WHEN USING ELECTRICAL APPLIANCES, BASIC PRECAUTIONS SHOULD ALWAYS BE FOLLOWED TO REDUCE RISK OF FIRE, ELECTRIC SHOCK, AND INJURY TO PERSONS, INCLUDING THE FOLLOWING:**

1. Read all instructions before using this appliance.
2. Do not place any objects such as furniture, papers, clothes, and curtains closer than 3 feet (0.9 m) to the front of the heater and keep them away from the sides and rear when the heater is plugged in.
3. Extreme caution should be taken when using any appliance around children, elderly, or disabled persons, or whenever the heater is operating unattended.
4. Always unplug heater when not in use.
5. Do not use outdoors.
6. This heater is not intended for use in bath rooms, laundry areas, and similar indoor locations. Never locate appliance where it may fall into a bathtub or other water container.
7. To disconnect the appliance, turn controls to off, then remove plug from outlet.
8. Connect to properly polarized outlets only.
9. Do not insert or allow foreign objects to enter any ventilation opening as this may cause an electric shock, fire or damage the appliance.
10. To prevent a possible fire, do not block air intakes or exhaust in any manner. Do not use on soft surfaces, like a bed, where openings may become blocked.
11. The heater has hot parts inside. Do not use it in areas where gasoline, paint, or flammable liquids are used or stored.
12. Use this appliance only as described in this manual. Any use not recommended by the manufacturer may cause fire, electric shock, or injury to persons.
13. To prevent overload and blown fuses, be sure that no other appliance is plugged into the same outlet (receptacle) or into another outlet wired into the same circuit.
14. It is normal for the heater's plug and cord to feel warm to the touch. A plug or cord which becomes hot to the touch or becomes distorted in shape may be a result of a worn electrical outlet. Worn outlets or receptacles should be replaced prior to further use of the heater. Plugging this heater into a worn outlet may result in overheating of the power cord or fire.
15. Be sure that the plug is fully inserted into an appropriate receptacle. Please remember that receptacles also deteriorate due to aging and continuous use; check periodically for signs of overheating or deformations of the plug. If any overheating or deformation is present, immediately discontinue using the receptacle and contact a qualified electrician.
16. CAUTION: To prevent electric shock, match wide blade of plug to wide slot of receptacle and insert completely.
17. Do not cover the appliance while it is functioning in order to avoid overheating and/or risk of fire.
18. Always plug heaters directly into a wall outlet/receptacle. Never use with an extension cord or relocatable power tap (outlet/power strip).
19. Do not operate heater with a damaged cord or plug, after the heater malfunctions or if the heater has been dropped or damaged in any manner. Discard heater or return to an authorized service facility for examination and/or repair.
20. Do not run cord under carpeting. Do not cover cord with throw rugs, runners, or similar coverings. Do not route cord under furniture or appliances. Arrange cord away from traffic areas and where it will not be tripped over.
21. Check your heater cord and plug connections.
  - a) Faulty wall outlet connections or loose plugs can cause the outlet or plug to overheat.
  - b) Heaters draw more current than small appliances. Overheating of the outlet may occur even if it has not occurred with the use of other appliances.
  - c) During use, check frequently to determine if your plug outlet or faceplate is HOT!
  - d) If so, discontinue use of the heater and have a qualified electrician check and/or replace faulty outlet(s).
22. Do not locate against walls or behind drapes or furniture.

# MAIN FEATURES AND CONTROL PANEL



**Power Switch** - turn the power to ON (I) or OFF (O) (switch is located on the back of the unit).

**Control Panel** - the control panel contains the operating controls for the heater. All control buttons are touch-sensitive and backlit to indicate activation.

**Power Button** - the Power Button switches the unit between on and standby. Touch the Power Button - it will turn red, and the unit is on. The fan and heating elements will be ready for operating.

**Heating Up Indicator** - lights up to indicate when the heater is warming up. PLEASE NOTE: the fan may not be running during warming up.

**Cooling Down Indicator** - lights up to indicate when the heater is cooling down, usually when you have pressed the Power Button to put the unit in standby mode. The fan will automatically turn off when the heater has cooled to a factory set temperature (this is a safety feature).

**Temperature Up and Down** - to set the temperature for a room, use the Temp Up and Temp Down buttons. The main display will show the current setting of the thermostat as adjustments are made. After the temperature setting is reached, your heater will cycle on and off to maintain the desired warmth.

**Main Display** - displays the desired temperature setting when operating the Up and Down

buttons, and the current room temperature during normal operation. The display also shows any error codes recorded by your heater.

**Room Buttons** - the buttons are based on wattage that regulates the heat output for different room sizes according to the actual room size:

**Large Button** - setting for large room

**Med Button** - setting for medium-size room

**Small Button** - setting for small room

**PCO or Photo Catalyst Oxidation Status Indicator** - when the letter "P" appears on the main display, it indicates PCO cell needs to be replaced. It will appear for 10 seconds every 30 minutes until PCO cell is replaced.

**Timer Button** - allows you to preset the unit to turn off in 2 to 12 hours.

**Timer Display** - indicates the time remaining before the heater will automatically shut down. The remaining time is set using the Timer Button.

## USING THE REMOTE CONTROL

1. The buttons on the remote control function in the same manner as the buttons on the control panel.

2. The remote control is powered by a CR2025 battery.

## OPERATION

---

1. Place the heater on a flat level surface and ensure that the air intake and air outlet are clear of obstructions.
2. Insert the plug into a 120V - 60Hz power outlet.
3. Press the ON/OFF Switch at the rear of the unit to the ON (I) Position.
4. Touch the Power Button on the control panel to turn the PCO Air Purifier on. The Power Button will turn to red.
5. Touch the Room Buttons to select the expected power of the unit according to the actual room size to turn the heater on. The Heating Up Indicator shows that the unit is heating (if the room temperature is below the desired thermostat setting).
6. Touch the Temp Up and Temp Down Buttons to set the desired thermostat temperature.
7. The heater will operate continuously to heat until the thermostat setting is reached. Once the thermostat temperature is reached, the unit will cycle on and off to maintain the desired warmth.
8. To turn the unit off (standby), touch the Power Button. The unit will stop operating and go into standby mode after one minute. The back light of the Power Button will be green unless the power switch is turned to OFF (O) or the power supply is Off. The Cooling Down Indicator will be lit as the fan cools the heater before shutting down.
9. Press the ON/OFF Switch at the rear of the unit to the off position (O). Turn the power OFF and disconnect the plug from the power outlet when not in use.

## SETTING THE DIGITAL THERMOSTAT

---

NOTE: Your heater must be turned on to adjust the thermostat. The controls are not operational in standby mode.

1. To adjust the thermostat, touch either the Temp Up or Temp Down Button. The desired temperature can be set from 1 to 16.
2. The main display will indicate the selected temperature.
3. Once the room temperature reaches the selected temperature, the unit will operate for another 20 seconds. When the room temperature drops below the thermostat setting, the unit will switch back on. The digital thermostat will continue to cycle the heater on and off to maintain your selected temperature.

## SETTING THE TIMER

---

1. Set the thermostat to the desired temperature setting (see Setting the Digital Thermostat).
2. Press the Timer Button once for every 2 hours of operation up to 12 hours. The Timer Display indicates the number of hours until the unit turns off.
3. The heater will run for the selected number of hours. The Timer Display will show the time remaining.
4. When the set time has elapsed, the heater will switch off automatically. The Time Display will also turn off and the unit will enter standby mode.